

Nicab Maxi

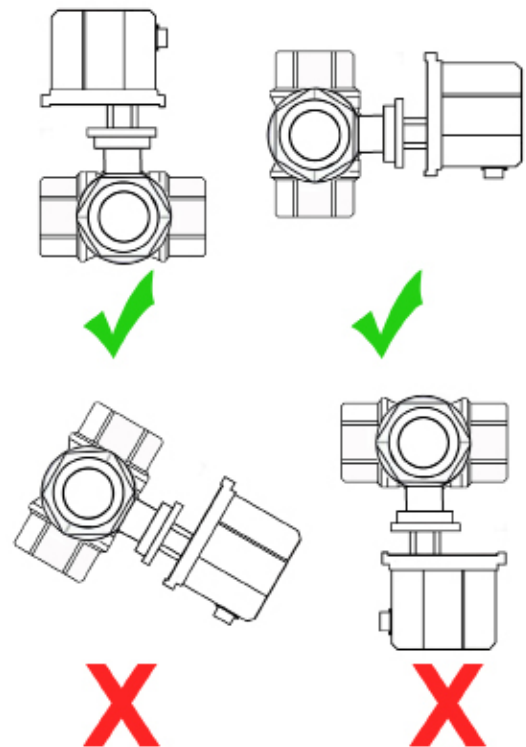
Installation

When delivered, port 3 on the valve is closed and the red light is on (indicating closed position).

Port 2 is always open, meaning it should be used as inlet or outlet.

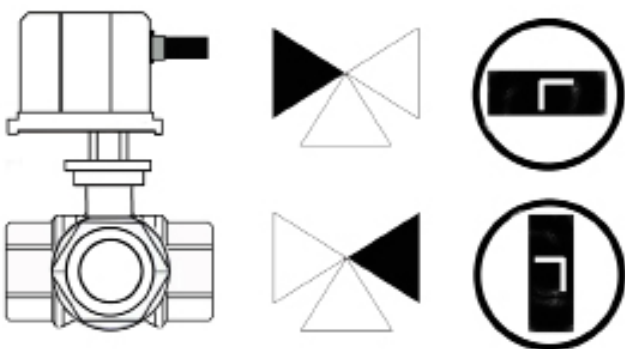
The valve should always be installed with the actuator in an upright position or along the horisontalline. The valve should NEVER be installed with the actuator facing down as shown in the picture.

The valve is not to be used in enviroments with a humidity above 95% rf.
If the valve is placed outside (not recommended) some form of protection must be used to cover the valve.

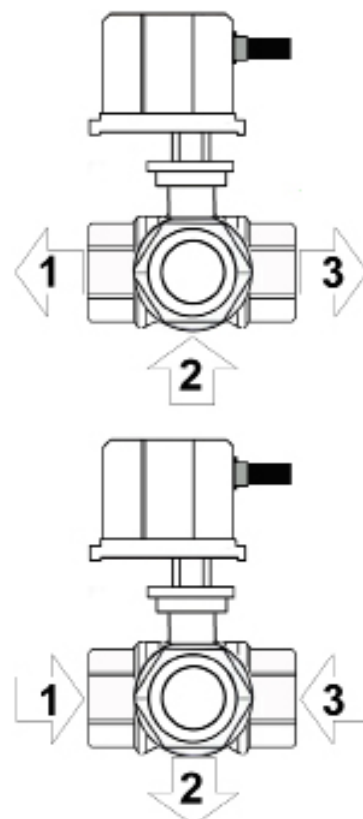


Stem setting

On the stem of the valve there is an L-figure (on 3-way valves). The points of the L is facing the open ports. When delivered the L is pointing at port 1 & 2. That means that port 3 is closed.



Flow direction



FlowControl

Electrical wiring 230V & 24V

The blue and brown cable are always connected. When you connect the black cable, port 1 closes and port 3 opens.

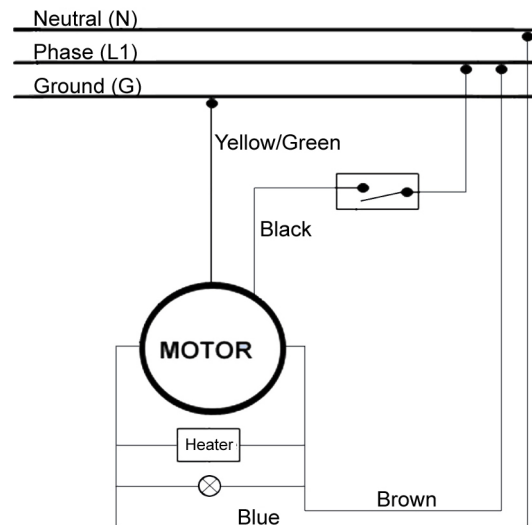
Port 2 is always open = inlet.

When the red light is on port 3 is closed.
When the blue light is on port 1 is closed.
Port 3 is closed on delivery.

Potential free contacts (not standard)

White and yellow cable are used to receive a signal back when the valve is open.

Brown and green cable are used to receive a signal back when the valve is closed.



Blue = Neutral (N)
Brown = Phase (L1)
Black = Thermostat
Yellow/Green = Ground

Supply connection

